

# 矢量变频器 | Vector Frequency Inverter P18100/8000<sup>Series</sup>

## Product orientation:

P18100 series frequency inverter is a brand-new current vector high-performance frequency inverter produced by Powtran Technology, which is based on motor running and the new theories and technological achievements of control, with servo functions to finish perfect control of motor, to provide you with comprehensive solutions in high-end control fields.



## Performance profile:

This series frequency inverter is a high-quality, multi-functional vector control frequency inverter. By decoupling control of motor magnetic flux current and torque current to achieve rapid-response and accurate torque control, can run a wide range of high-precision speed and torque control operation.. Brand-new hardware platform, scientific production technology and complete testing equipment ensure products more stable & reliable in application.

## Technical Features:

- Central control module based on DSP(32 bits digital signal processor), realizes high-speed and high-performance control
- Control Mode: Sensorless Vector Control, Sensor Close Loop Vector Control, V/F Control
- Automatic recognize the parameter of the motor, auto-adjust to the best control mode
- Dead zone compensation function and automatic slip compensate, 180% torque output can come out below 0.25Hz frequency
- Simple PLC function, at most 15 segments speed control and 8 segments acceleration control can be realized
- "One key to shuttle" keyboard, swirling free, two-way custom buttons with the demand for expansion
- Multi-language, humanization display menu, highlighted OLED+LED, simultaneous display 3 groups of state parameters
- Keyboard is hot-pluggable and can restore or copy 4 groups of running parameter programs
- Powerful communication function which can support standard RS485 and Modbus, meanwhile provide remote keyboard control
- Unique EMC design minimizes pollute to electricity resource
- Entire coating can work in various of severe environment



## Capacity range:

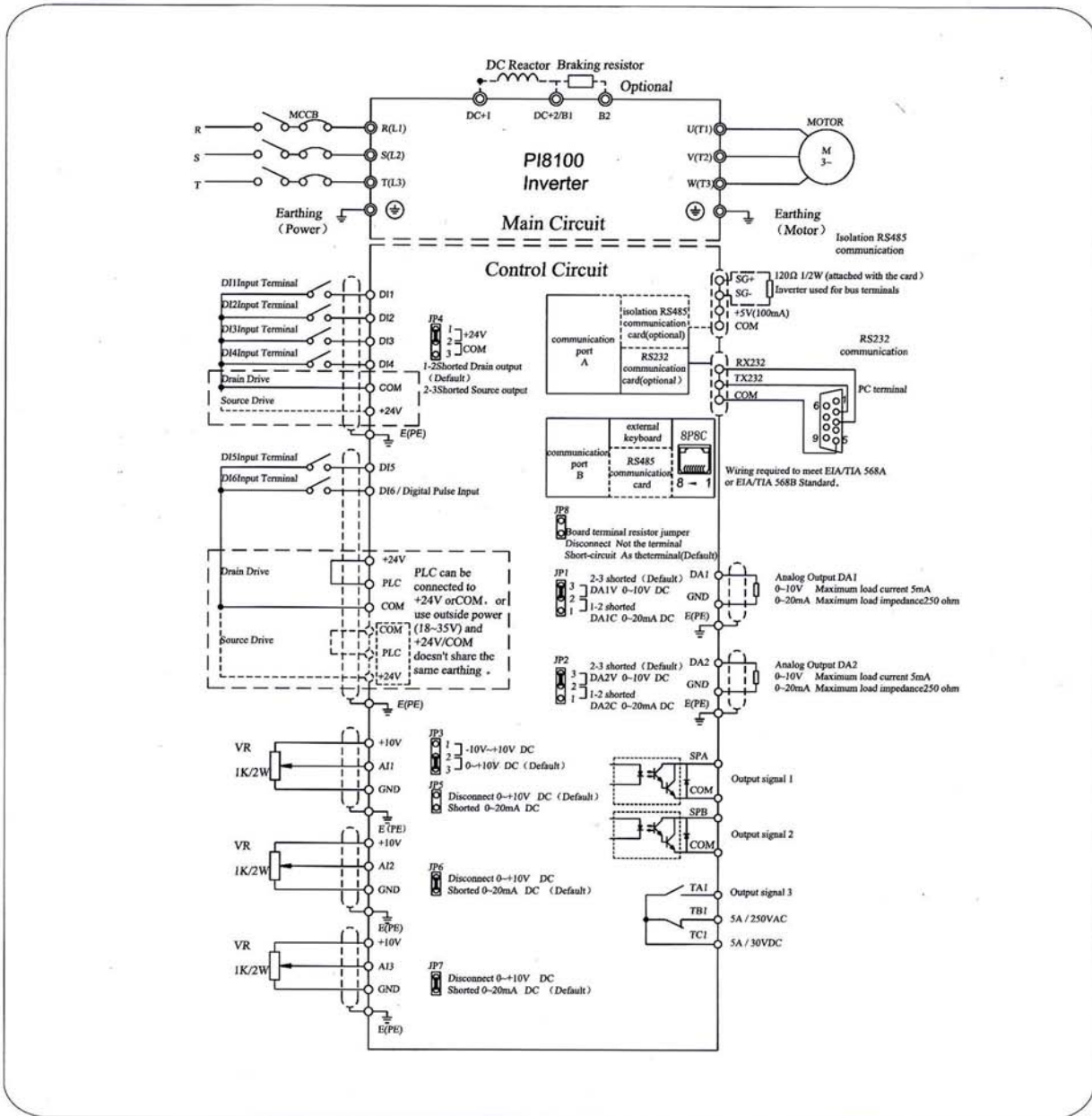
Power Range: 0.75-7.5kW Frequency Range: 0.00~400.00Hz  
Voltage Range: Single-phase 220V  
3-phase 220V/380V/460V

## Application fields:

Metallurgy, petroleum, chemical, textile, electric power, building materials, coal, medicine, food, paper, plastics, printing, lifting, cable, washing, water, heating, sewage treatment, etc.  
Industry, mechanical sets: drawing machine, mixer, extruder, cutting machine, winding machine, compressor, fan pumps, grinding machines, conveyors, hoists, centrifuges and various speed machinery.



# Circuit diagram:



# Specification and Size:

# PI8100 Series

Model	Power (KW)	Voltage (V)	Current (A)	Shape dimensions (mm)			Installation dimensions (mm)			Structure Item	Net weight (Kg)
				L	W	H	a	b	d		
PI8100 R75G3	0.75	380	2.5	185	120	178.5	174	108	Ø5.3	7N2	2.4
PI8100 1R5G3	1.5	380	3.7								
PI8100 2R2G3	2.2	380	5								
PI8100 004G3	4	380	8.5	220	150	185.5	209	138	Ø5.3	7N3	3.5
PI8100 5R5G3	5.5	380	13								
PI8100 7R5G3	7.5	380	16	285	180	200	272	167	Ø5.5	7N4	7
PI8100 7R5F3	7.5	380	16								
PI8100 011F3	11	380	25								

